

CASSETTE

PULL THRU™
mini™
PULL THRU™

MEDIVATORS
A Galantai Medical Company

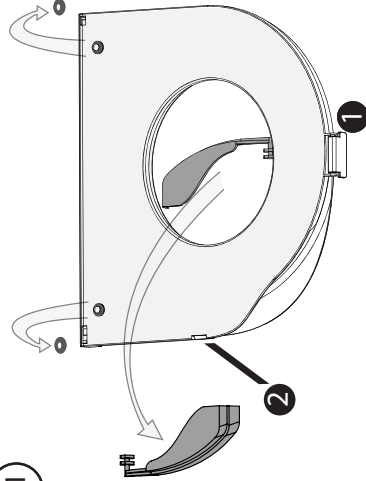
CE

MEDIVATORS Inc. HQ
3150 Pollock Drive
Conroe, TX 77303
Tel: +1.936.539.0391
www.medivators.com

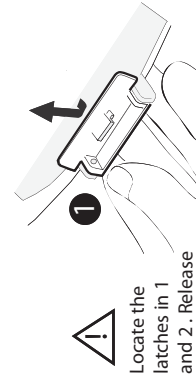
MEDIVATORS BV
Sourethweg 11
6422PC Heerlen
The Netherlands
Tel: +31.455.5.471.471

EC REP

A1

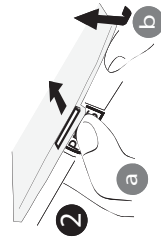


A2

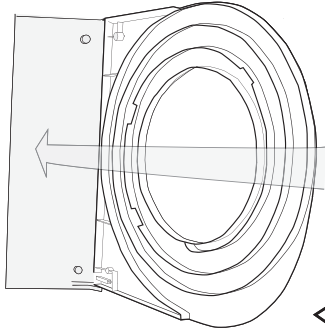


Locate the latches in 1 and 2. Release to open the cassette lid

A3

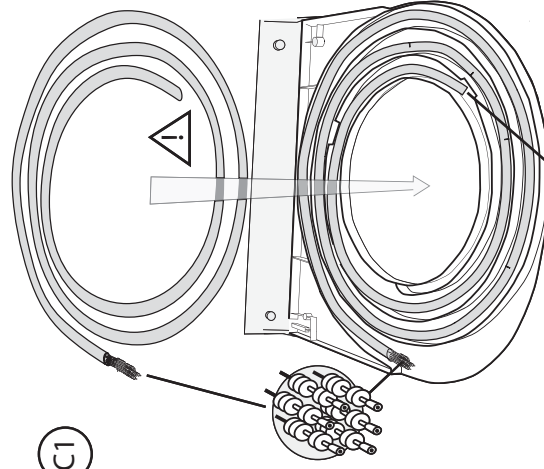


B1



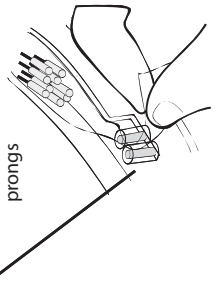
Open lid to expose cassette to be refilled

C1

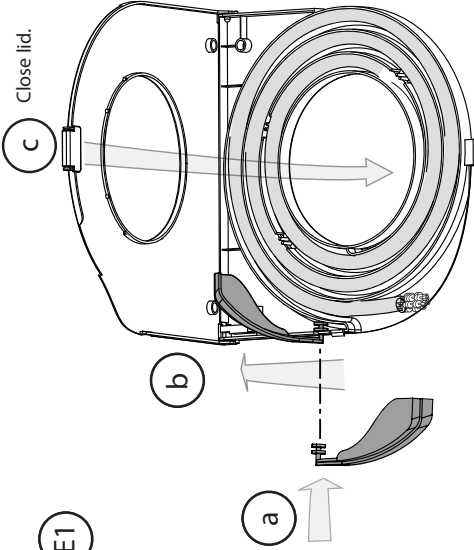


D1

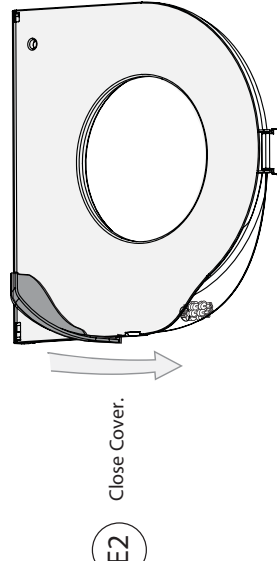
Secure the closed end of the pack by inserting the sleeve through the middle of the two prongs



E1



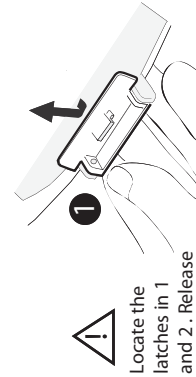
E2



Close Cover.

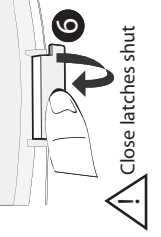
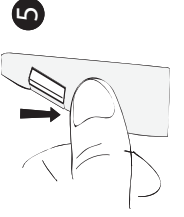
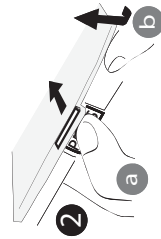
Make sure Pull Thru can be removed

A2



Locate the latches in 1 and 2. Release to open the cassette lid

A3



Close latches shut