

# CASSETTE

TM  
**PULL THRU**

mini TM  
**PULL THRU**

**MEDIVATORS**  
A Cantel Medical Company



MEDIVATORS  
3150 Pollock Drive  
Conroe, TX 77303  
Tel: +1.936.539.0391

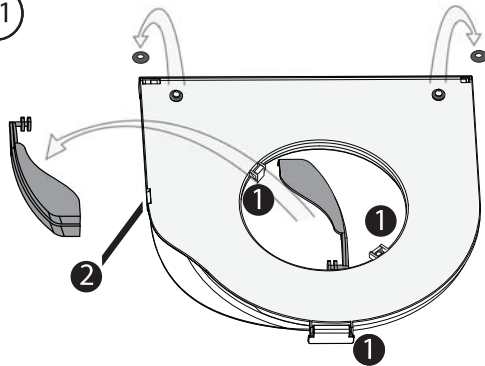
www.medivators.com

MEDIVATORS Inc. HQ  
14605 28th Avenue North  
Minneapolis, MN 55447 USA  
Toll Free: +1.800.444.4729

MEDIVATORS BV  
Sourethweg 11  
6422PC Heerlen  
The Netherlands  
Tel: +31.45.5.471.471

EC REP

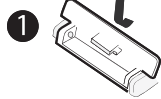
A1



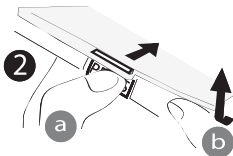
A2



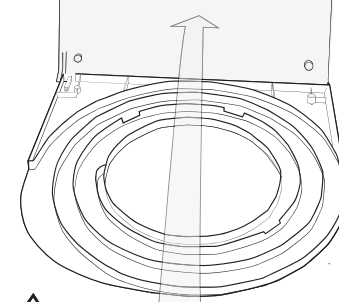
Locate the latches in 1 and 2. Release to open the cassette lid



A3

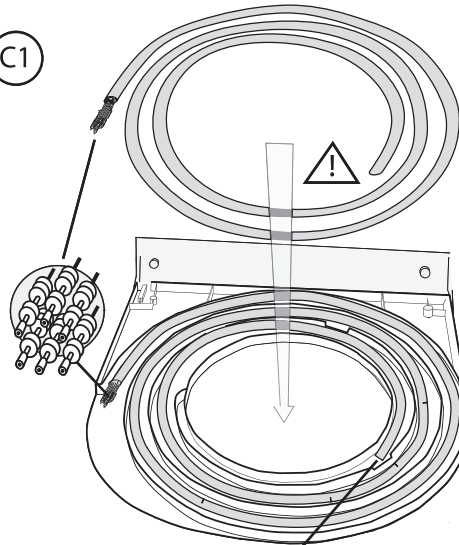


B1



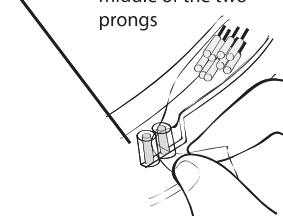
Open lid to expose cassette to be refilled

C1

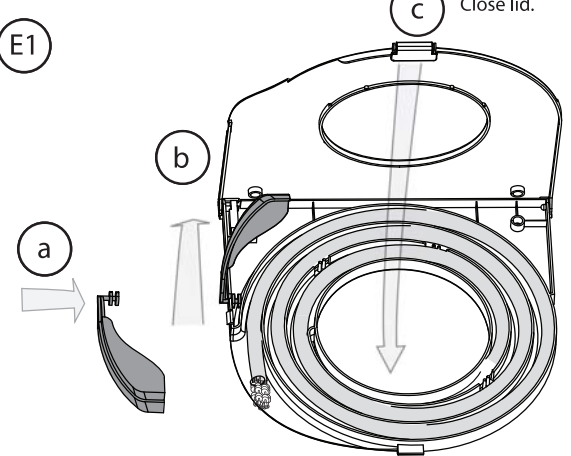


Secure the closed end of the pack by inserting the sleeve through the middle of the two prongs

D1

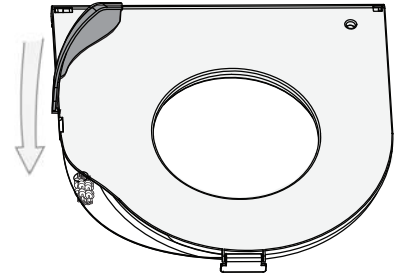


E1

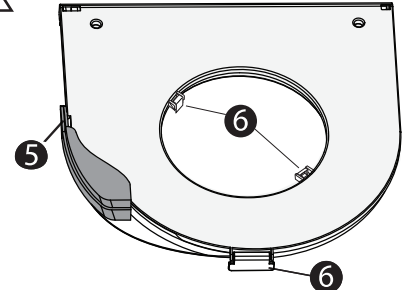


E2

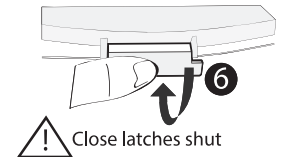
Close Cover.



Make sure Pull Thru can be removed



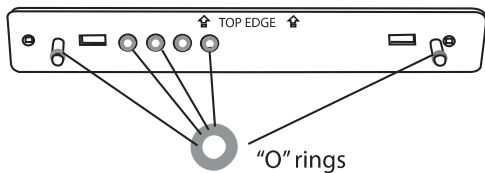
5



Close latches shut

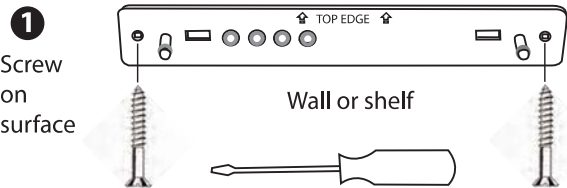
Close lid.

# BRACKET

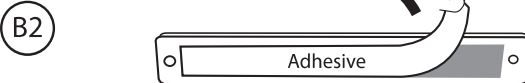
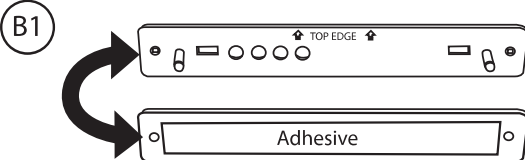
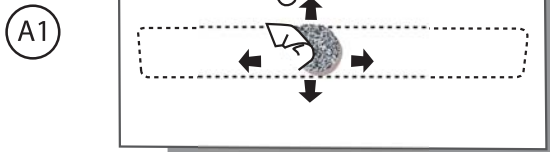


Two methods to attach cassette

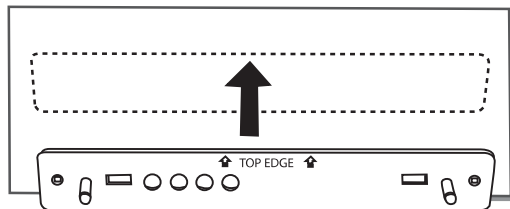
- 1 Screw on surface
- 2 Adhesive



**2** Adhesive



**B3**



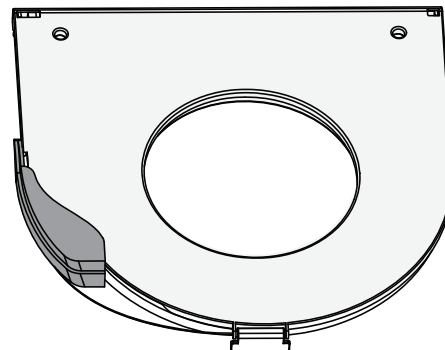
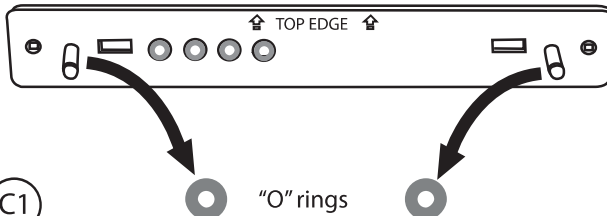
**B4**



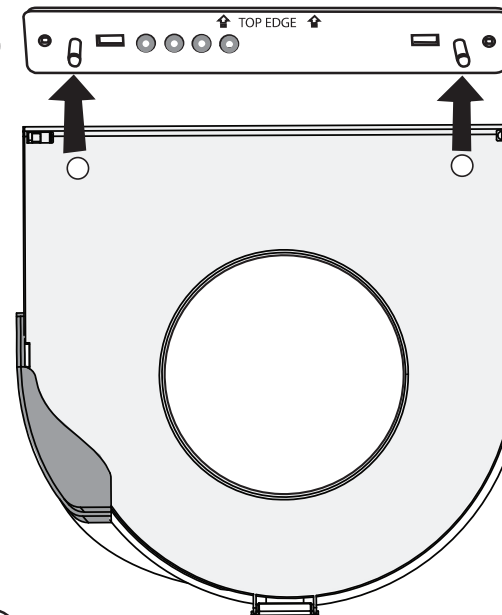
**CASSETTE**



**C1**



**C2**



**C3**

