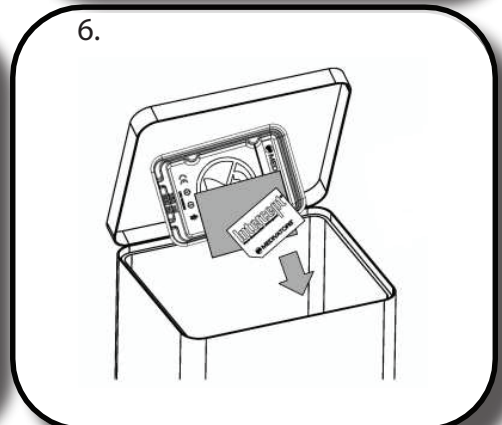
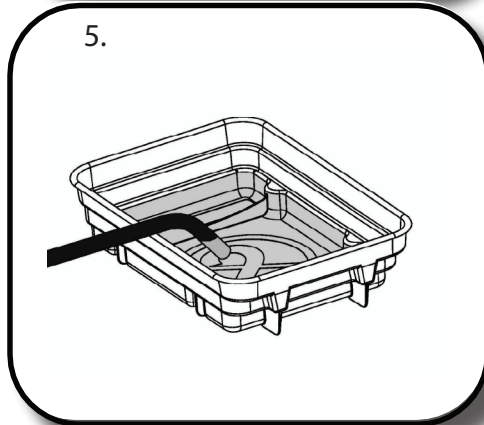
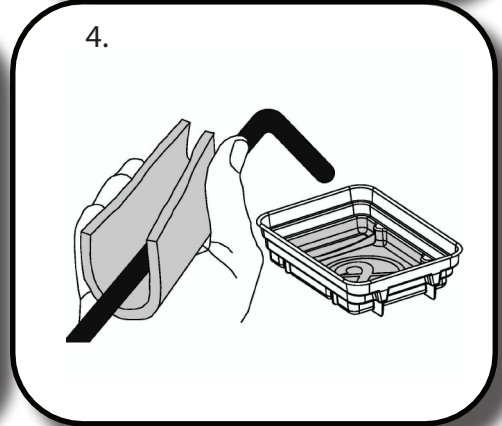
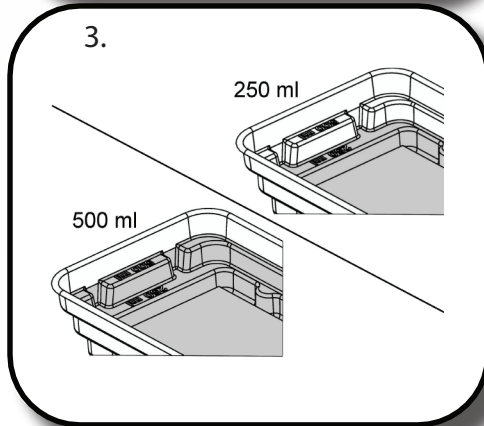
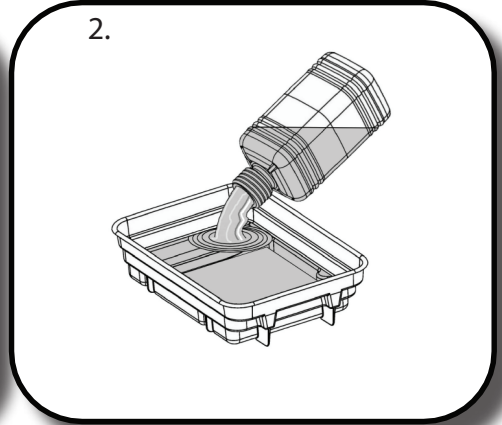
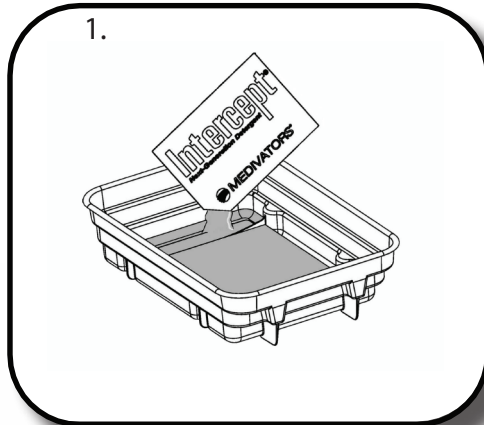
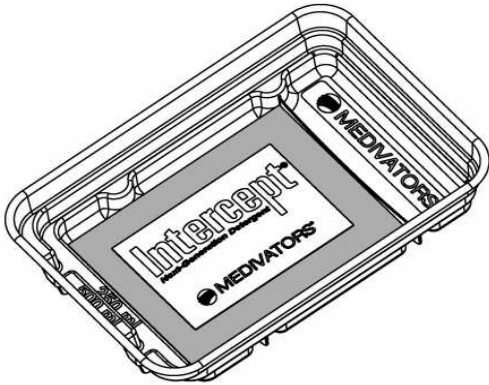


Intercept®

Next-Generation Detergent bedside kit

Information for Use:



Manufactured for:
MEDIVATORS Inc Headquarters
14605 28th Avenue North
Minneapolis, MN 55447 USA
Toll Free: +1.800.444.4729

MEDIVATORS
3150 Pollock Drive
Conroe, TX 77303
Tel: +1.936.539.0391



www.medivators.com

Intercept® is a registered trademark of MEDIVATORS Inc.

Issue date: 11/13/2012

