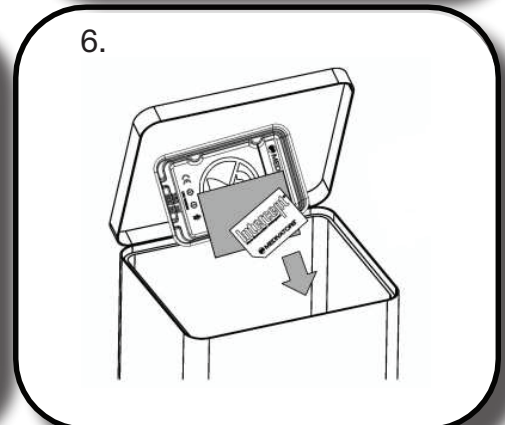
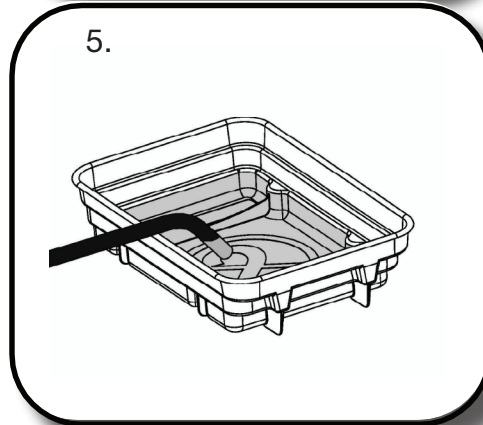
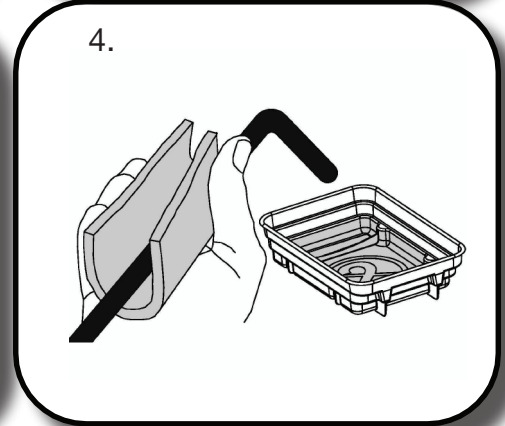
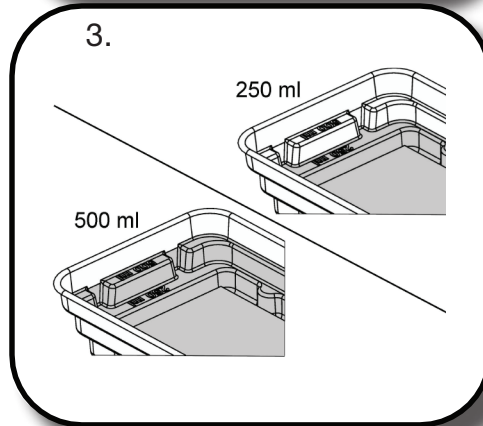
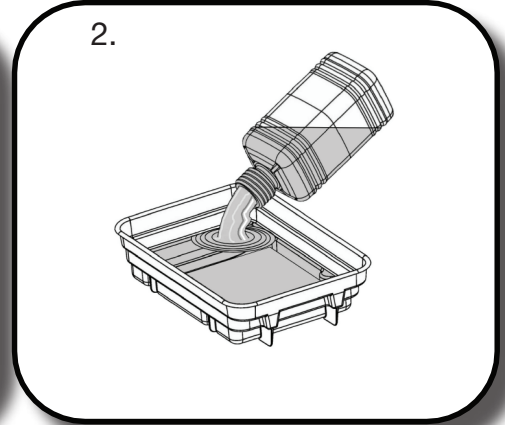
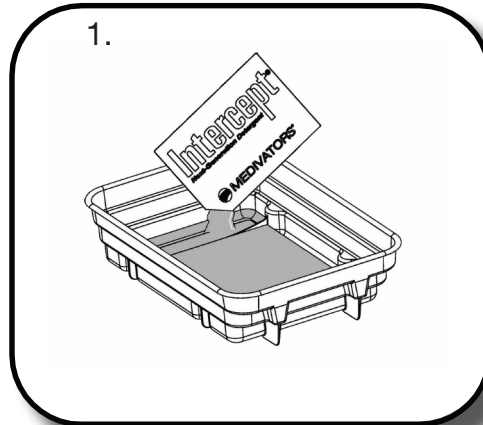
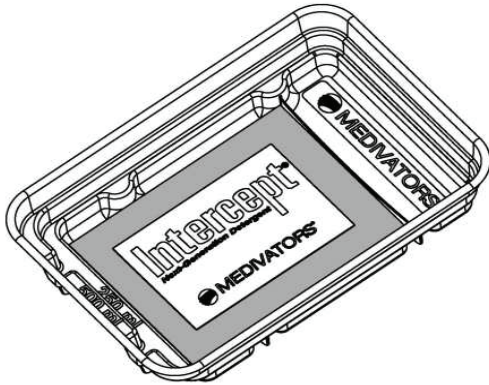


# Intercept™ bedside kit

## Information for Use:



Manufactured in the USA by:

**CE** Medivators  
3150 Pollok Drive  
Conroe, TX 77303  
Tel: +1.939.539.0391  
www.medivators.com

**EC REP** Medivators BV  
Sourethweg 11  
6422PC Heerlen  
The Netherlands  
Tel: +31.45.5.471.471

Medivators Inc.  
14605 28th Avenue North  
Minneapolis, MN 55447 USA  
Toll Free: +1.800.444.4729



MEDIVATORS™ and INTERCEPT™ are trademarks of Medivators Inc.