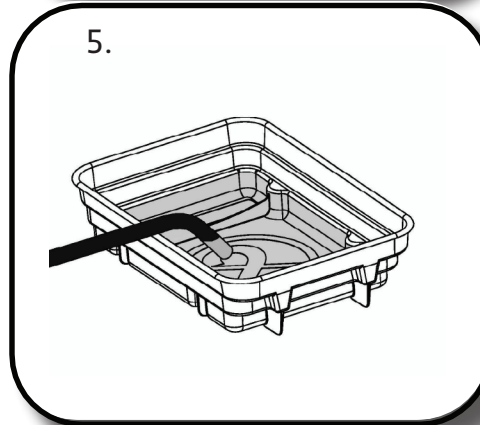
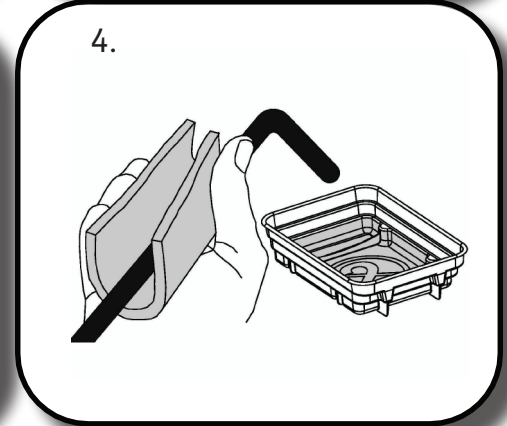
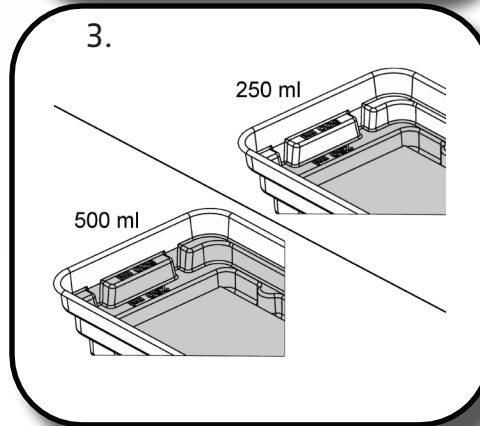
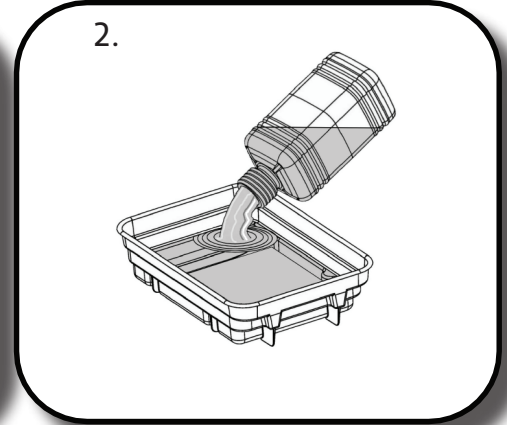
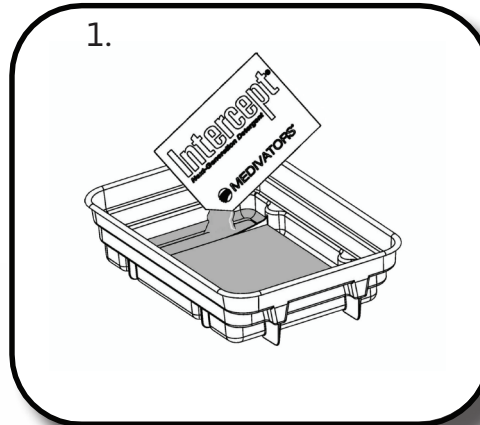
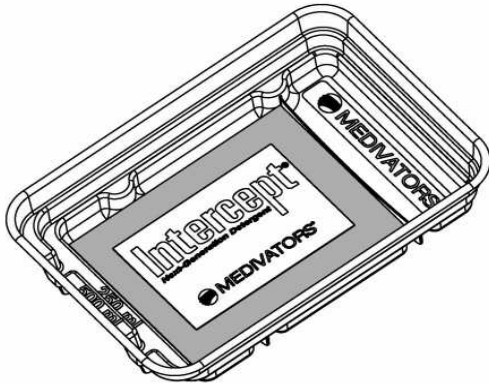


Intercept™ bedside kit

Information for Use:



Manufactured in the USA by:

CE
Medivators Inc.
3150 Pollok Drive
Conroe, TX 77303
Tel: +1.936.539.0391

Medivators Inc.
14605 28th Avenue North
Minneapolis, MN 55447 USA
Toll Free: +1.800.444.4729

Medivators BV **EC REP**
Sourthweg 11
6422PC Heerlen
The Netherlands
Tel: +31.45.5.471.471

www.medivators.com

NON STERILE

2 SINGLE USE ONLY

MEDIVATORS™ and INTERCEPT™ are trademarks of Medivators Inc.